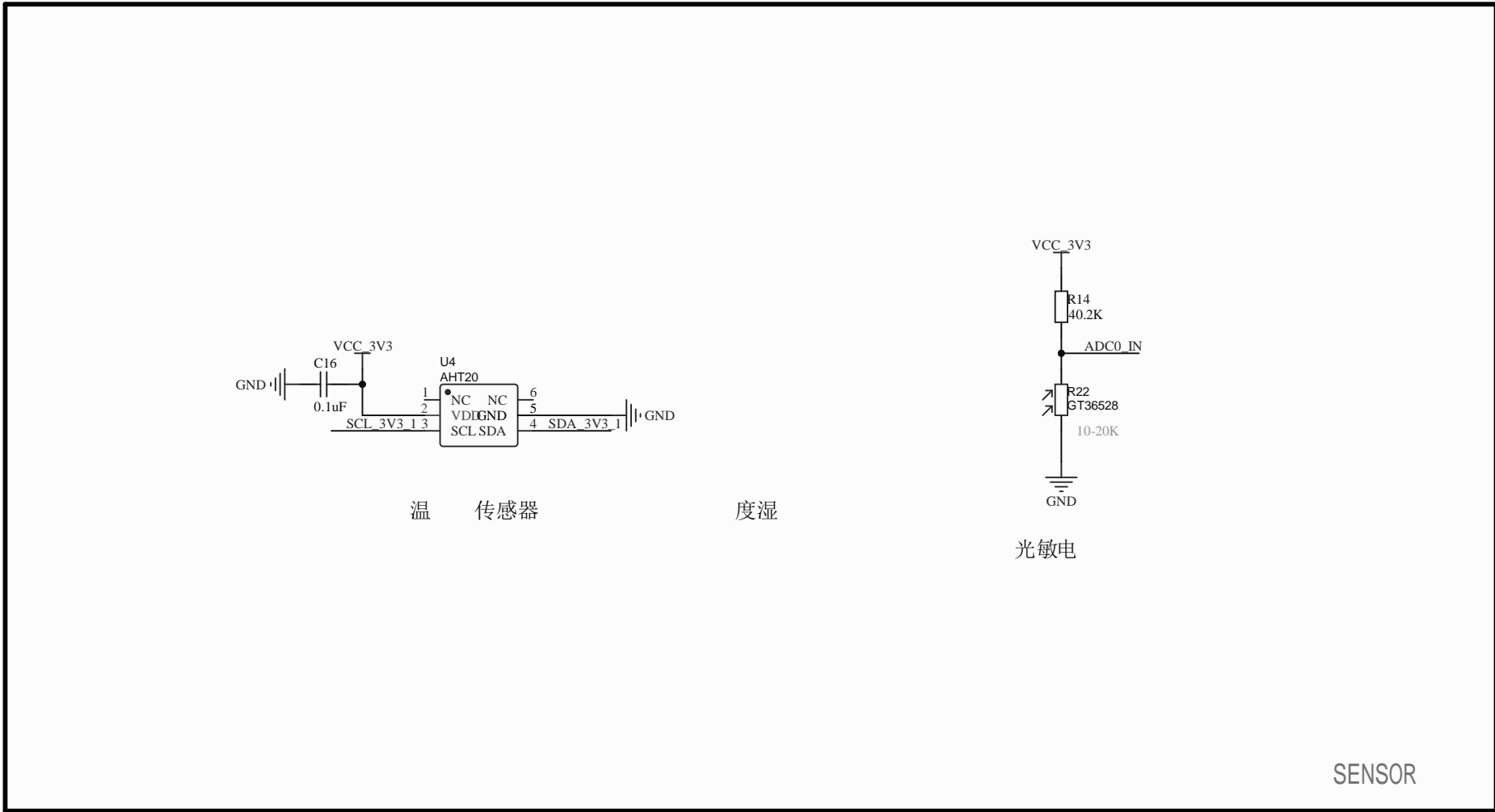


Title		
Size	Number	Revision
A4		
Date:	3-31-2023	Sheet of
File:	G:\ 目 \..2.POWER.SchDoc 项	Drawn By:



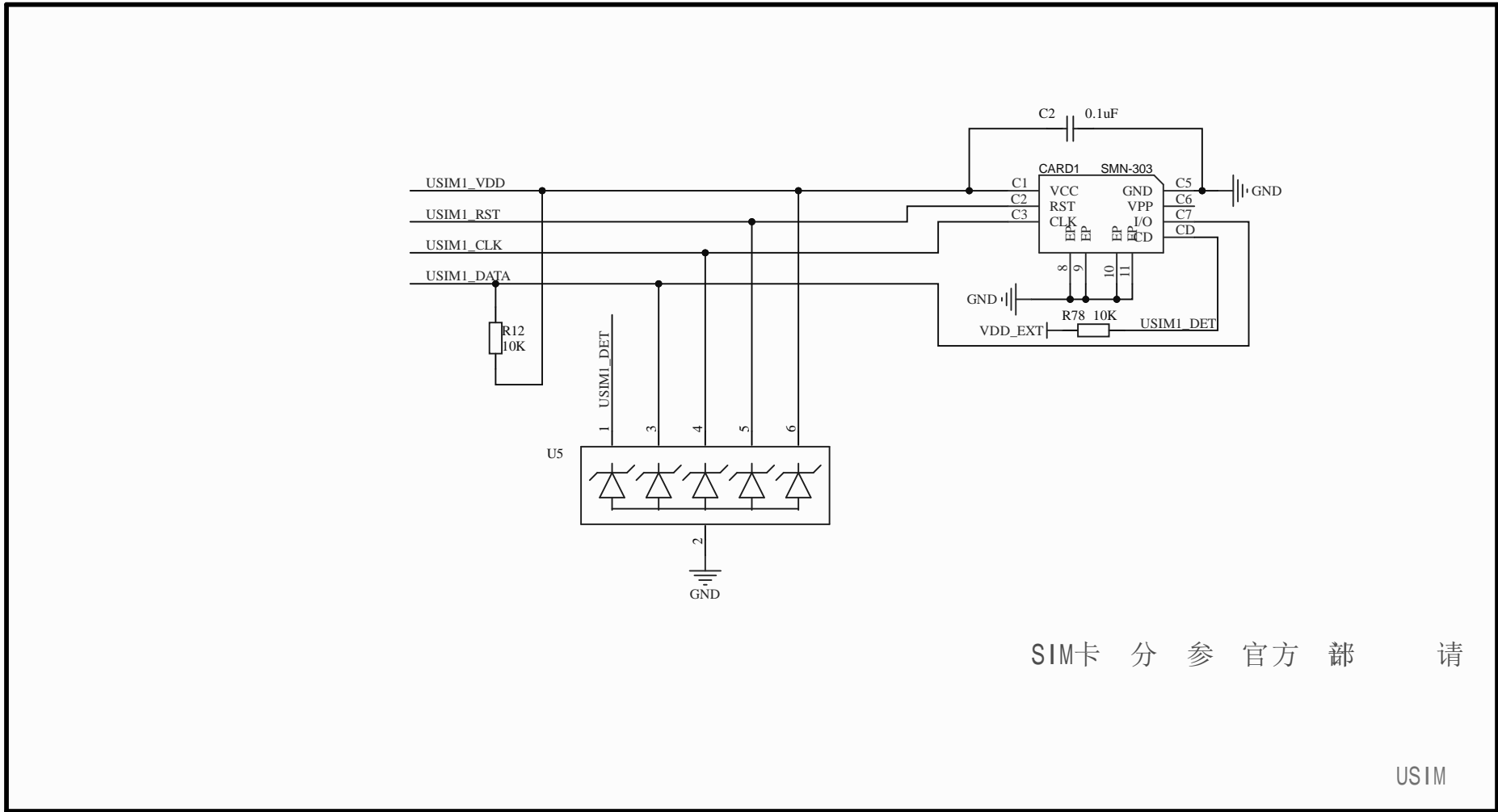
温 传感器

度湿

光敏电

SENSOR

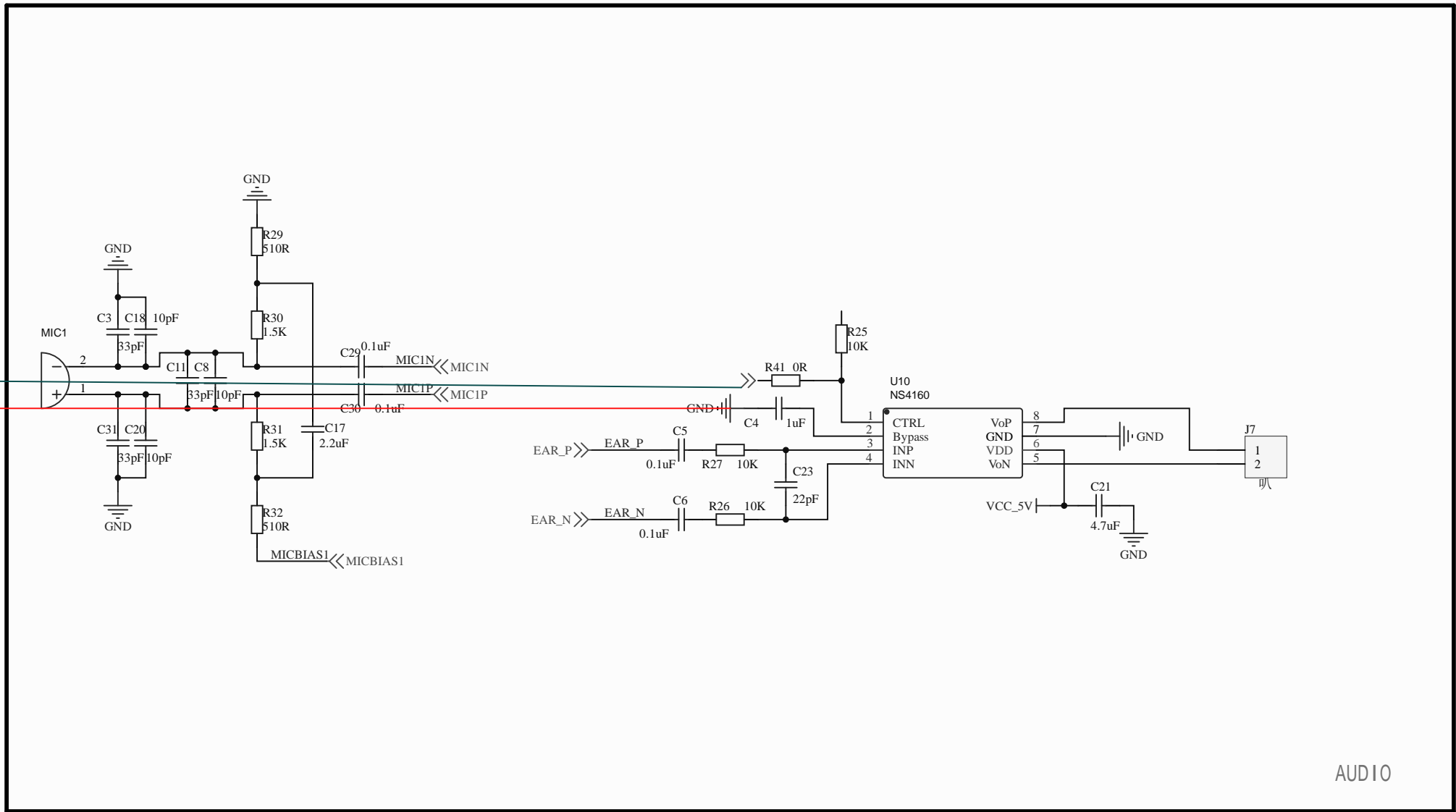
Title		
Size	Number	Revision
A4		
Date:	3-31-2023	Sheet of
File:	G:\ 目 \. \3.SENSOR+EEPROM\SchDoc\Drawn By:	



SIM卡 分 参 官 方 部 请 考 设

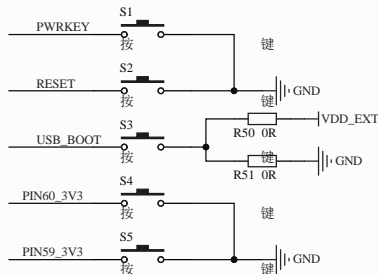
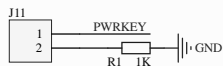
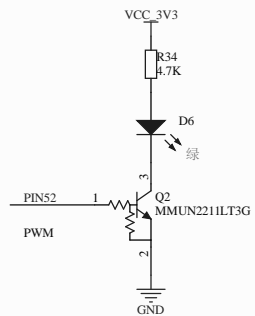
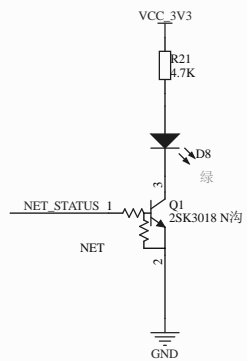
USIM

Title		
Size A4	Number	Revision
Date:	3-31-2023	Sheet of
File:	G:\ 目 \.4.SIM-CARD.SchDoc	Drawn By:

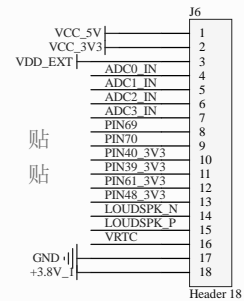
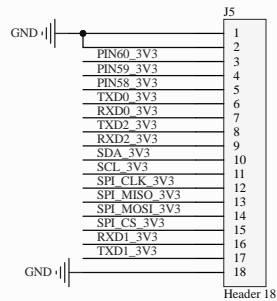
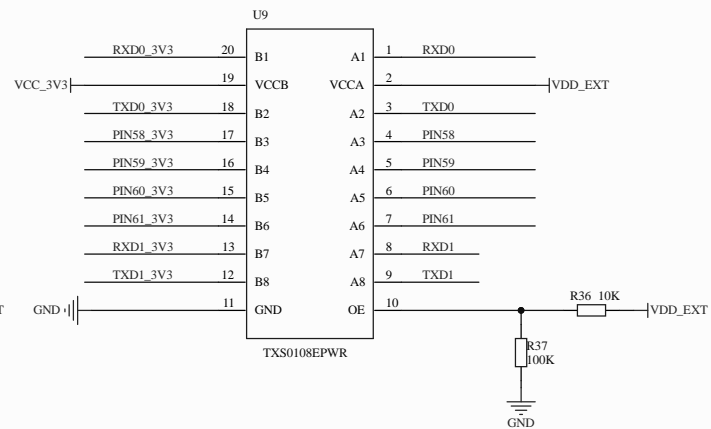
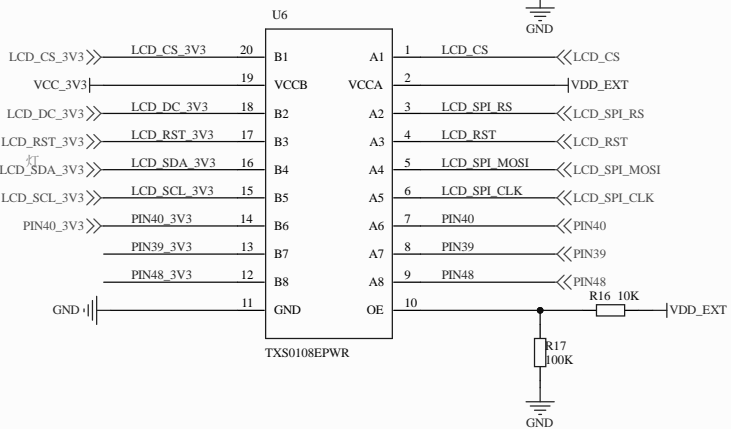
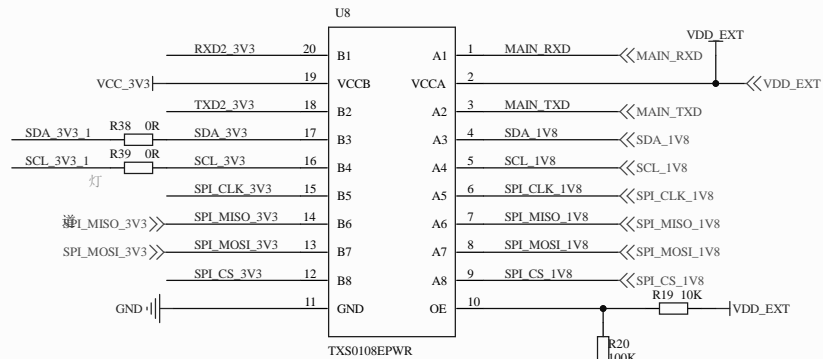


AUDIO

Title		
Size	Number	Revision
A4		
Date:	3-31-2023	Sheet of
File:	G:\目\5.AUDIO.SchDoc 项	Drawn By:

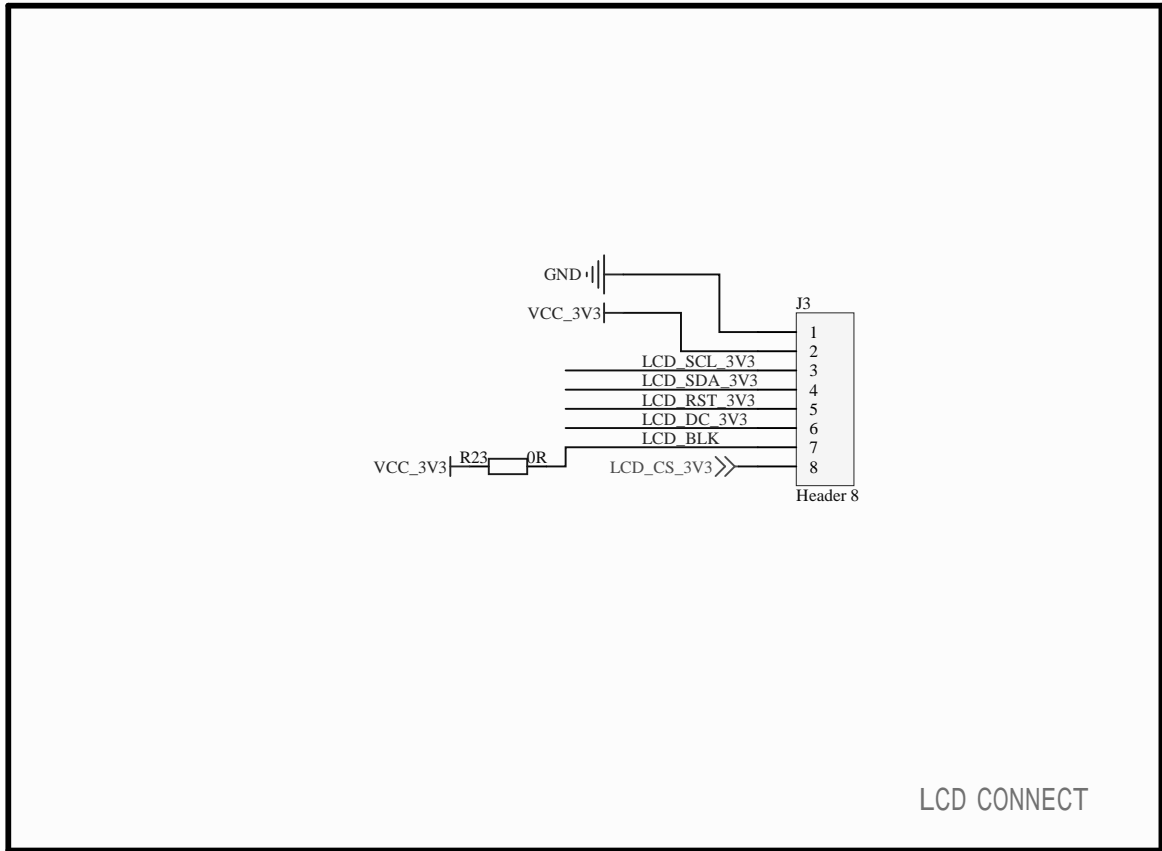


EC600U/G R50  
EC600N/M R51



GPIO

Title		
Size	Number	Revision
A3		
Date:	3-31-2023	Sheet of
File:	G:\1\6.GPIO+UART.SchDoc	Drawn By:



LCD CONNECT

Title		
Size A4	Number	Revision
Date:	3-31-2023	Sheet of
File:	G:\ 目 \.7.LCM.SchDoc 项	Drawn By: